

# RC2103HD



## H.264 3MP 360° Indoor Panomorph IP Camera

- 3 Megapixel 14 fps
- Wide angle view 360°
- Compatible with all major VMS certified ImmerVision enables lens
- Certified ImmerVision Enables panomorph lens
- e-PTZ supported
- Video Compression: H.264, MJPEG
- MicroSD/SDHC Memory Card Slot
- **ONVIF** Support, PoE (IEEE 802.3af)
- Embedded VCA Technology Video Analytics
- Burnt-in Text, Video Motion Detection

RC2103HD-6511



RC2103HD-6611



### Specifications

CAMERA	
<b>Model</b>	RC2103HD-6511: 1.2mm lens RC2103HD-6611: 1.12mm lens
<b>Image Sensor</b>	1/2.5" 5Megapixel CMOS
<b>Effective Pixels</b>	2048 x 1536
<b>Scanning System</b>	Progressive scanning
<b>AGC Control</b>	Auto, adjustable amplification level
<b>Minimum Illumination</b>	Color: 1.0 Lux, B/W : 0.001Lux (DSS ON)
<b>Lens</b>	6511 1.2mm, F2.0 (Certified ImmerVision Enables Lens)
	6611 1.12mm F2.0 (Certified ImmerVision Enables Lens)
<b>Angle of View</b>	6511 Horizontal Approx: 180° Vertical: Approx.180°
	6611 Horizontal: Approx. 182, Vertical: Approx.182°
<b>Shutter Time</b>	1/10000s to 1/2s
<b>Shutter Exposure Modes</b>	Automatic - with configurable min/max shutter speed (exposure time range) Manual - with configurable fixed shutter speed Flicker-Control - 50/60Hz
<b>Day &amp; Night</b>	Digital software related Day & Night switching
<b>Image Settings</b>	Configurable brightness, contrast, saturation, sharpness, vertical flip & horizontal mirror function Corridor Mode (-90° / +90° image flip)
<b>2D-DNR</b>	Configurable digital noise reduction 1 ~ 16
<b>Wide Dynamic Range</b>	Digital WDR (configurable levels 1-16)
<b>Exposure Adjustment</b>	+1.0, +0.6, +0.3, 0, -0.3, -0.6, -1.0 EV
<b>White Balance</b>	ATW1 / ATW2 / Push / Manual
<b>DSS (Sens-up)</b>	Configurable digital slow shutter 2X ~ 16X
<b>Backlight Compensation</b>	BLC On/Off (possible to designate zone)
VIDEO	
<b>Video Compression</b>	H.264 Baseline, Main, High profile (MPEG-4 Part 10/ AVC), MJPEG (Motion JPEG)
<b>Video Streaming</b>	<b>4:3 Mode</b> Full Circle Image Single Stream and Snapshot H.264: Controllable frame rate, bandwidth (VBR/CBR) MJPEG (Snapshot): Controllable frame rate, JPEG quality
	<b>16:9 Mode</b> Cropped Image Dual Stream, Configurable streams in H.264,MJPEG H.264: Controllable frame rate, bandwidth (VBR/CBR) MJPEG: Controllable frame rate, JPEG quality

VIDEO		
<b>Resolutions</b>	<b>4:3 Mode</b>	2048x1536, 1600x1200, 1280x960, 1024x768, 800x600, 640x480, 320x240
	<b>16:9 Mode</b>	1920 x 1080, 1280 x 720, 1120 x 630, 960 x 540, 800 x 450, 640 x 360, 480 x 270, 320 x 180
<b>Frame Rate</b>	<b>4:3 Mode</b>	H.264: Max 14fps in all resolution MJPEG: Max 14fps in all resolution
	<b>16:9 Mode</b>	H.264: Max 30fps in all resolution* MJPEG: Max 30fps in all resolution*
<b>Motion Detection</b>	Max. 8 zones with independent configuration of detection sensitivity and target object size	
<b>Burnt-in Text</b>	Time / Date / Name (Name up to 48 characters), flexible display position	
<b>Privacy Mask Zones</b>	4 flexible configurable regions	
<b>Analogue Video</b>	NTSC/PAL Video Signal (1.0Vp-p, 75Ω)	
AUDIO		
<b>Input /Output</b>	Line-In: 0.178Vp-p, 10KΩ Lineout: 2.26Vp-p, 10KΩ	
<b>Compression Format</b>	G.711 μLaw	
NETWORK		
<b>Ethernet Standard/IP</b>	10 / 100 Base-T/ IPv4, IPv6	
<b>Protocol</b>	QoS Layer 3 DiffServ, TCP/IP, UDP/IP, HTTP, RTSP, RTCP, RTP/UDP, RTP/TCP, mDNS, UPnP™, SMTP, DHCP, DNS, DynDNS, NTP, SNMPv1/v2c/v3(MIB-II), IGMP, ICMP, SSLv2/v3, TLSv1, SRTP, RTMP	
<b>Users Connection</b>	Live viewing for up to 10 clients	
<b>Security</b>	HTTPS(SSL), IP Filtering, Multi-level access with password protection	
PTZ ( UNWARPING MODE)		
<b>Digital Zoom</b>	Supported	
<b>e-PTZ</b>	Supported	
GENERAL		
<b>I/O Terminal</b>	1x Alarm In - max 50mA@5VDC, TTL 1x Alarm Out - max 50mA@24VDC, TTL	
<b>Edge Storage</b>	Via micro SD/SDHC card (up to 32GB) for continuous or event recording. Search interface for event files, playback and download (card not included).	
<b>Application Programming Interface</b>	Software Development Kit (SDK) available	

GENERAL	
<b>Event Metadata Streaming RTSP/RTP</b>	Video Motion Detection(MD), Video Content Analytics(VCA)
<b>ONVIF</b>	Version: 2.41 (Support Profile S, Profile G)
<b>Event Sources</b>	Sensor(DI), Video Motion Detection, Tamper Detection, Video Content Analytics(VCA), Network Loss/Detect, Network Setting Change, Time (Recurrence/Schedule)
<b>Event Actions</b>	Notification service via TCP/IP, HTTP, multicast or email text messages with snapshot, DO-contact, file upload on external FTP server, local SD memory card recording
<b>Approvals</b>	FCC, CE, KC, RoHs
ELECTRICAL	
<b>Power Source</b>	12V DC / PoE (IEEE 802.3af)
<b>Consumption</b>	<b>6511</b> 3.6W @ DC 12V
	<b>6611</b> 3.96W@ DC 12V
ENVIROMENT	
<b>Operation Temperature</b>	DC12V/PoE: 0°C ~ 50°C (32°F ~ 122°F)
<b>Operating Humidity</b>	Up to 85% RH, Non-condensing
MECHANICAL	
<b>Material</b>	Polycarbonate
<b>Color</b>	White
<b>Dimension</b>	144(Ø), 58(H)mm
<b>Weight (Approx)</b>	360g (0.79 lbs)

\* If VCA is activate, frame rate is limit to max15fps@1080p. Limitations are based on V.1.9.0 firmware release and could be changed without notice

VIDEO CONTENT ANALYSIS (Included as a Standard)	
<b>High Performance</b>	Advanced tracking algorithm and low false alarm rate
<b>Easy to Use</b>	Intuitive web browser interface
<b>Detection Zones and Rules</b>	Up to 40 zones (multi-segment polygons and lines) 60 VCA filter rules in total
<b>On-screen Display</b>	Real-time display of tracking data and events via activeX plug-in in IE browser
<b>Burnt in Annotation</b>	Allows the VCA annotation to be burnt into the raw video stream for displaying on third party application
<b>Tamper Detection</b>	Recognize camera tampering via VCA detection (defocusing, lens covering, camera moving)
VIDEO CONTENT ANALYSIS (Option extension License)	
<b>Available License</b>	VCAdetectIP, VCAcountIP, VCAsurveillancelP, VCAadvancedIP, VCAprofessional
<b>VCA Detection Filters</b>	<b>Object:</b> Enter, Exit, Appear, Disappear, Stop, Direction, Dwell, Speed, Tailgating, Object Classification, Complex Rules, Color Filter,
<b>VCA Features</b>	<ul style="list-style-type: none"> <li>- Up to 20 Onscreen Counter Displays</li> <li>- Counting-Line for accuracy people and vehicle counting with local database and reporting service</li> <li>- VCA calibration via 3D tools for right object size detection</li> <li>- Object classification allow to design different Object classes to include or exclude in VCA detection rule</li> <li>- 10 colors in total to distinguish objects by color</li> <li>- People tracking mode to tracks individuals separately among overlapped multiple people</li> <li>- Heatmap Report shows relative crowd density of the 24 hour period (criterion: midnight)</li> </ul>
<b>Logical Rules</b>	Extension of alarm rules using logical operators (AND, OR..) for the VCA detection filters of created zones / lines
<b>Info VCA</b>	Details regarding supported VCA filters and features of the different extension licenses find on <a href="#">RIVA Product Overview</a> document

## Unwarping Solution

### Ceiling Mount

Single View



Quad View



Panoramic View



# RC2103HD

## Wall Mount

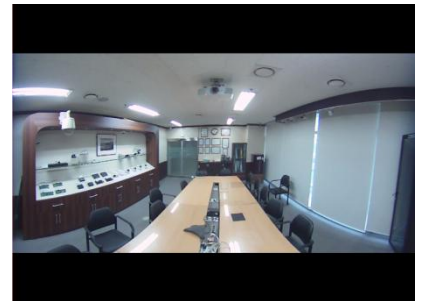
Single View



Quad View

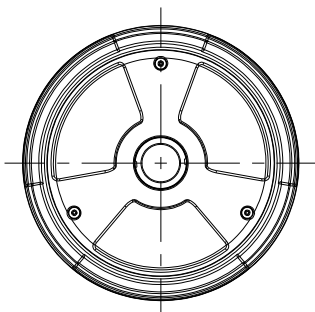
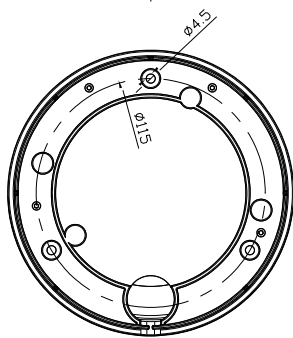
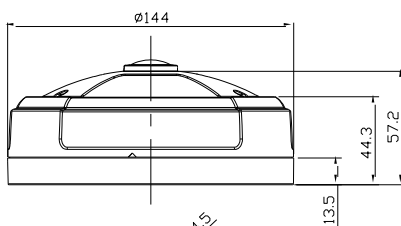


Panoramic View

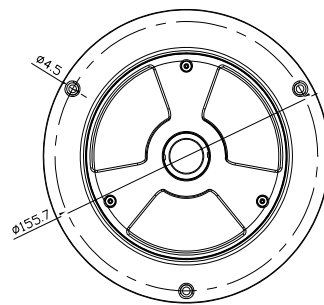
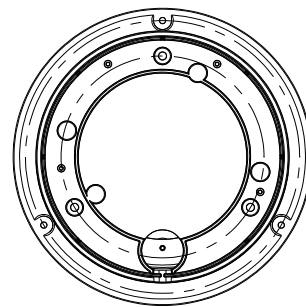
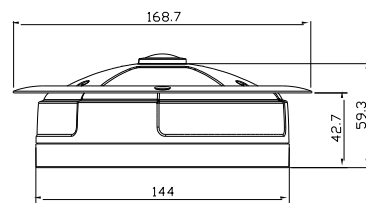


## Dimensions (unit: mm)

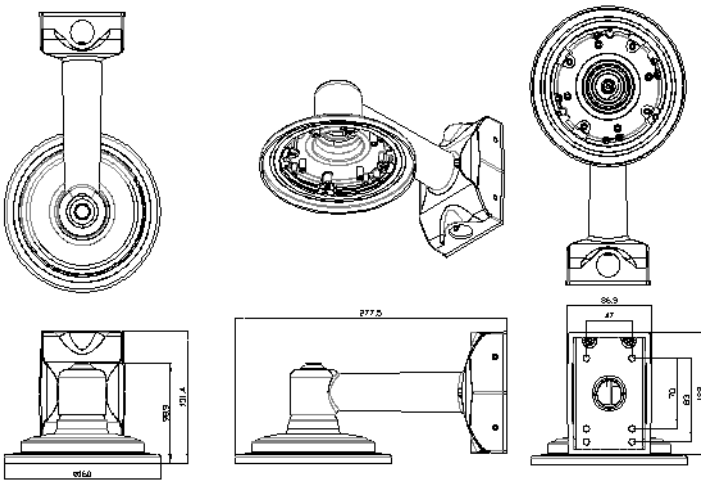
Semi-Flush Mount



Flush Mount

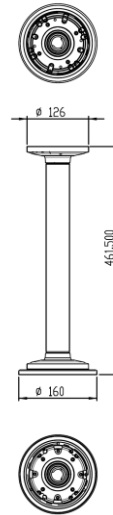


**Accessories**



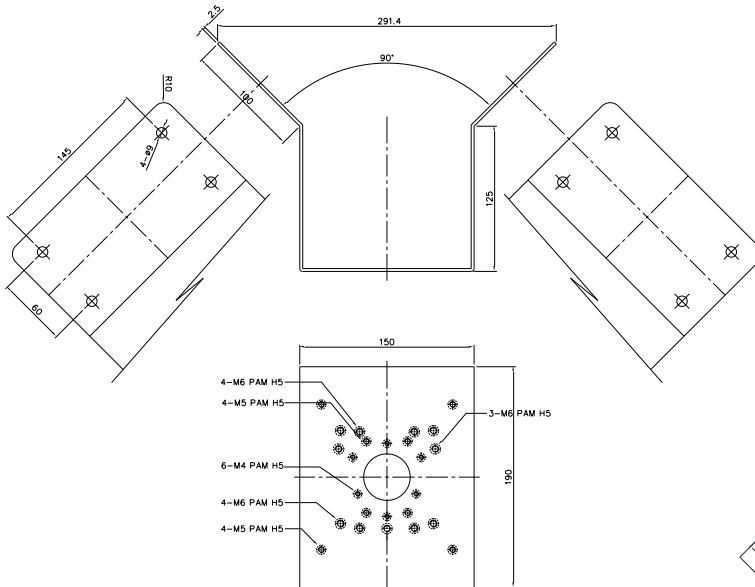
**Wall Mount Bracket**

Model: WMB-3000  
Weight: 1kg



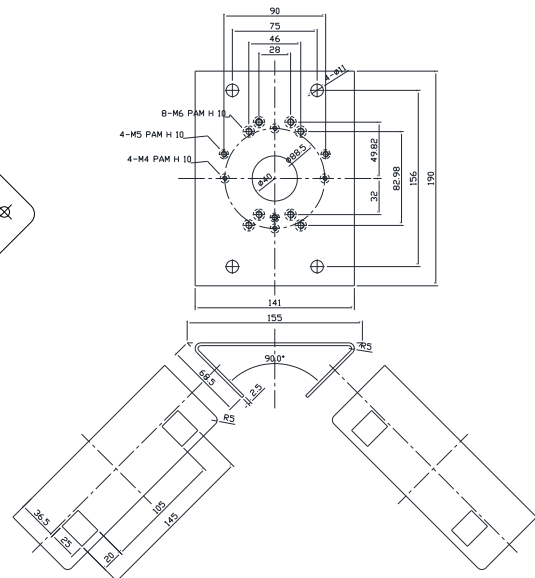
**Ceiling Mount Bracket**

Model: CMB-3000  
Weight: 1.1kg (2.4lb)



**Corner Mount Adapter**

Model: CMA-3000  
Weight: 2.3kg (5.1lb)



**Pole Mount Adaptor**

Model: PMB-3000  
Weight: 930g